

AUTO MANUAL STATION

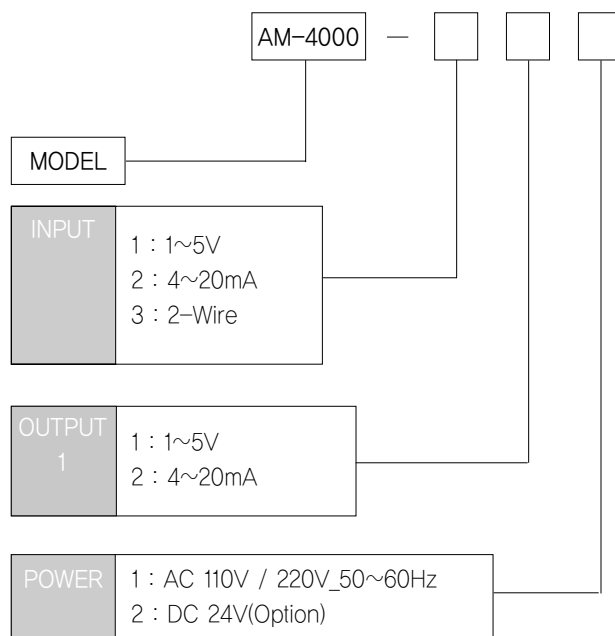
AM-4000



AM-4000 is Analog back station, it accept input signal and holding and manipulating control signal in case of Computer or DCS failure

- Indicating or PV/MV Selectable
- Computer and DCS back up application
- Manual/Auto Controller

MODEL & SUFFIX CODE SELECTION

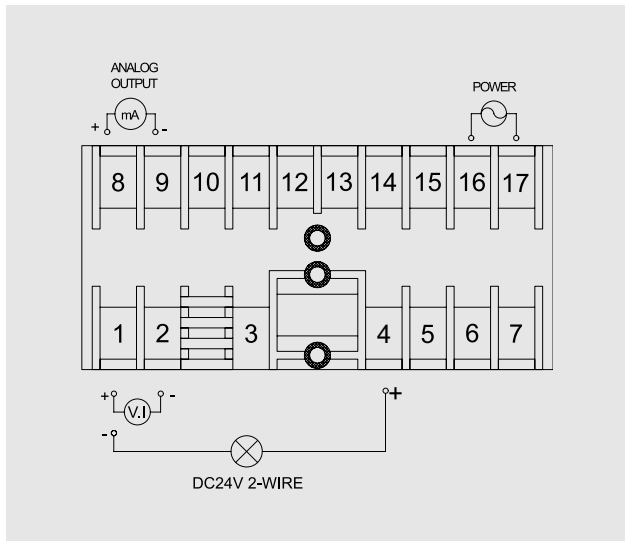


GENERAL SPECIFICATIONS

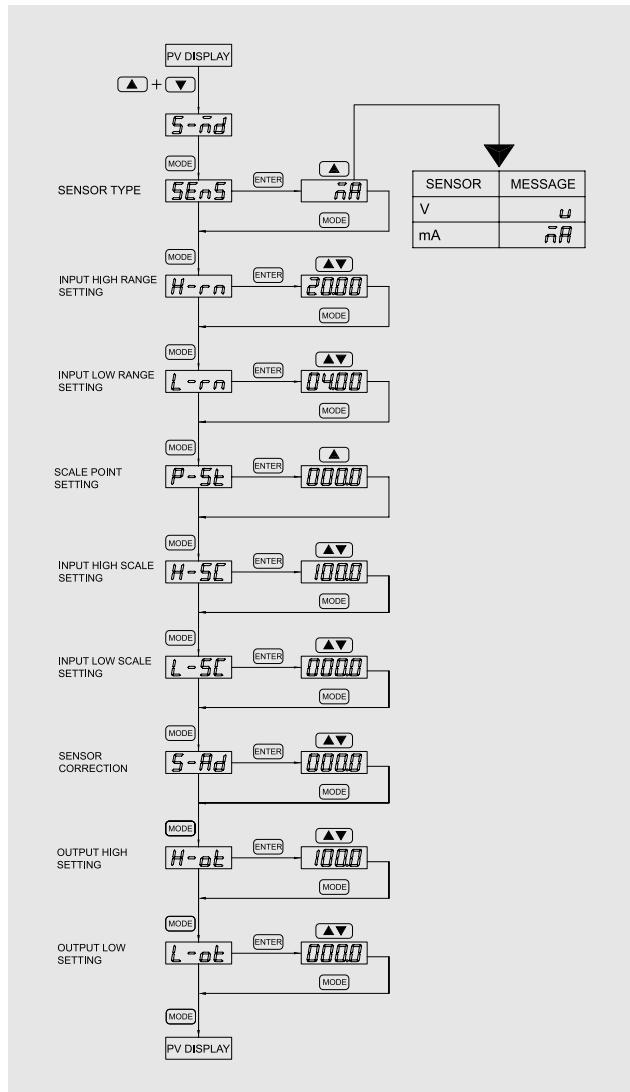
Input	DC Signal	1~5V 4~20mA	2-wire
Power Supply	AC 110/220V 60Hz ±10%(internal selection) approx 5VA		
Display & Range	7 Segment & 4 Digiht (0~100%)		
Accuracy	±0.25% F.S ±1 digit		
Input Sampling period	200msec		
Input Protection 20V FS	200V Max		
Sensor Power	DC24V/30mA (±5% or less)		
Operating Temperature/Humidity	-20~60°C / 90%(N.C)		
Dimensions	W96×H48×D112(mm)		
Case Material	ABS Resin (white)		
Weight	about 400g		
Mounting	Panel mounting Type		

INDICATOR AM-4000

TERMINAL CONNECTION



Program Setting



DIMENSIONS (Unit : mm)

